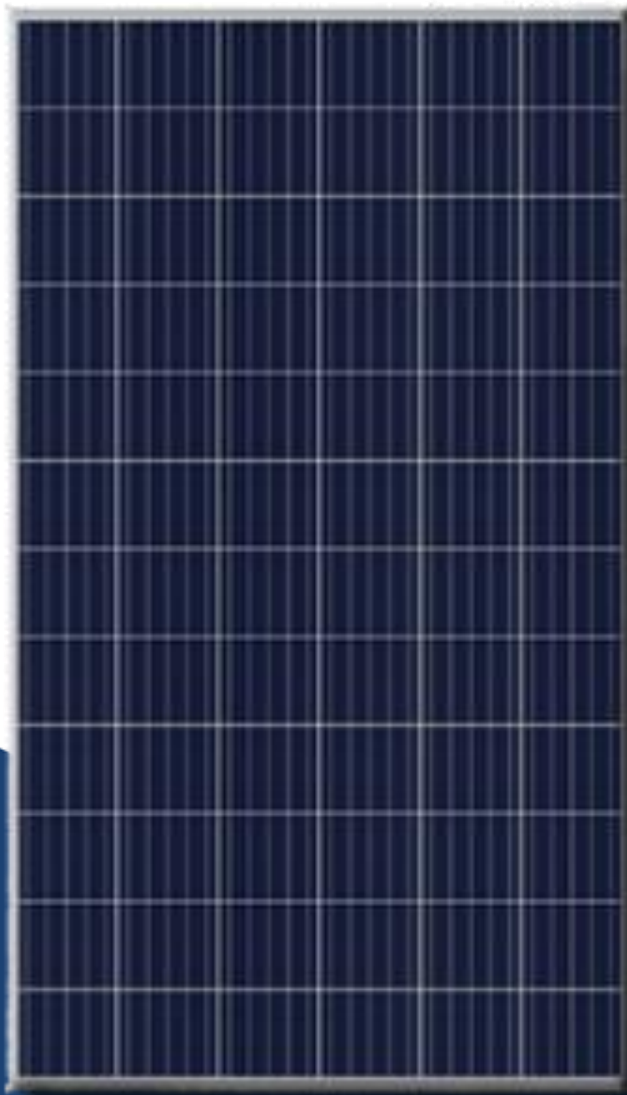


SOLAR EXPERTS IN CENTRAL INDIA



SOLAR POLYCRYSTALLINE MODULE

MODEL NO. : AE72FP325WP



KEY FEATURES

- ✓ Excellent Power Output with **+ve** Tolerance (**up to 2%**)
- ✓ Generate Power even at Low Light
- ✓ High Performance Modules with high efficiency
- ✓ PID Resistance
- ✓ Safety class II
- ✓ ARC, Ultra-clear toughened and textured glass
- ✓ Pre-drilled frame for easy mounting
- ✓ IP-68 rated Junction Box
- ✓ Solar MC4 compatible connector
- ✓ Fire safety class C

 Highly Efficient

 PID free modules

 Outstanding Power performance



AVERT ENERGY INDIA PVT.LTD.

TUTA, ATAL NAGAR - NYAYA RAIPUR (C.G.) - 492015

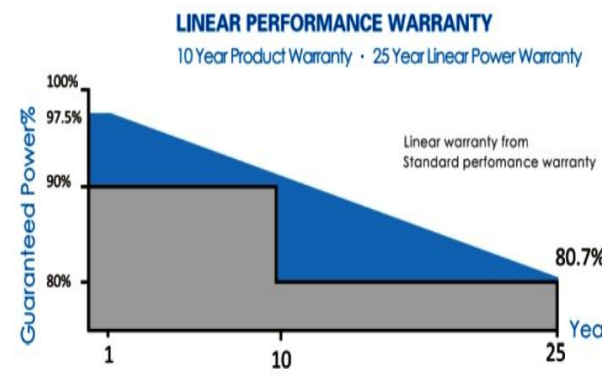
EMAIL : avertenergyindia@gmail.com | ph: 8962828882, 9425202583



IS 14286:2010/IEC61215:2005,
IS/IEC 61730(PART 1):2004
IS/IEC61730 (PART 2):2004

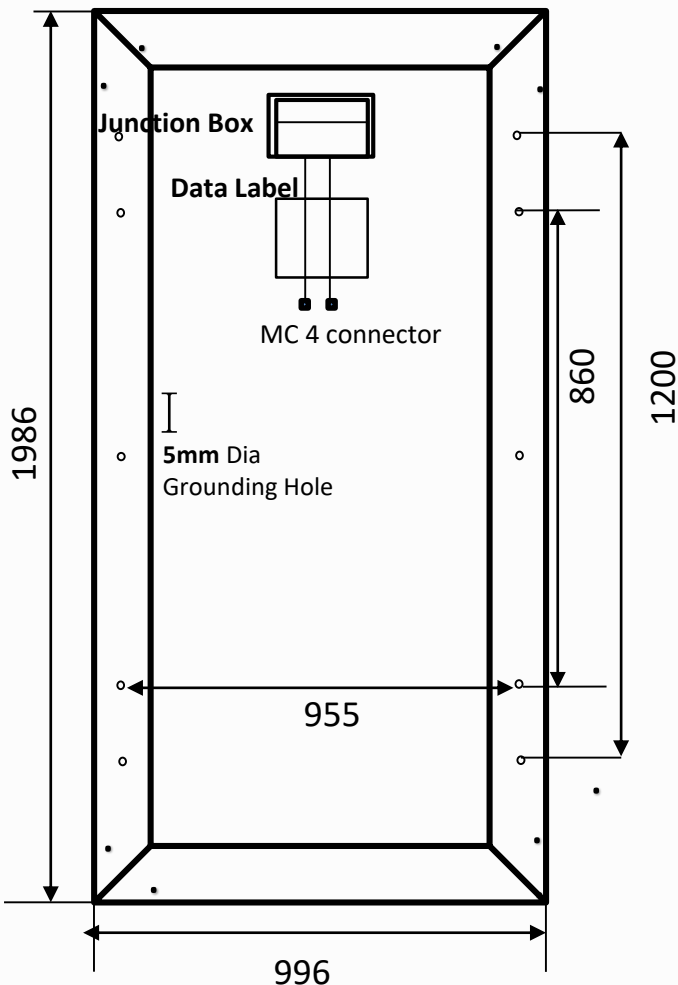


COMPOSITION LAYERS OF POLYCRYSTALLINE MODULE



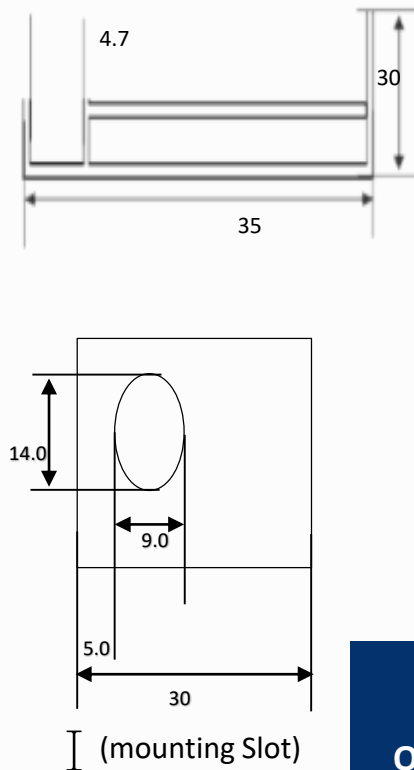
Linear Power Guarantee on Avert Energy modules 97% upto 1 year then @ 0.63% / year

BACK VIEW

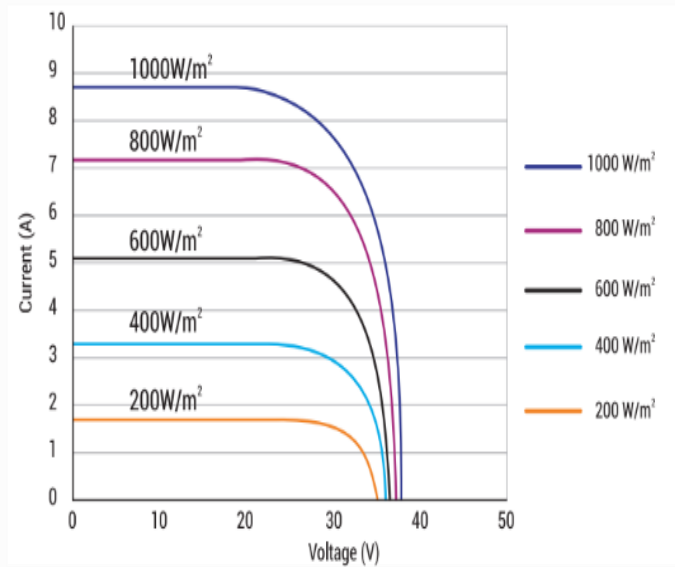


NOTE: All DIMENSIONS ARE IN MM (± 1 mm)

AI SECTION



I-V CURVE



Thermal Specifications

Operating Conditions - (- 40 °C to + 85° C at 85% RH)
 Temperature Co-efficient for Voc/ °C - (β) -0.30%
 Temperature Co-efficient for Isc/ °C - (α) 0.03%
 Temperature Co-efficient for power/ °C - (γ) -0.39%

Electrical Specifications

| | |
|-----------------------------|-----------------------------------|
| STC Condition | 1.5 AM/1000W/m ² 25 °C |
| Module WP | 325 WP |
| No of Cell in Series | 72 Cell |
| Short Circuit current (Isc) | 8.94 A |
| Open Circuit Voltage(Voc) | 45.60 V |
| Maximum Voltage (Vmp) | 37.49 V |
| Maximum Current (Imp) | 8.67 A |
| Fill Factor | 79.72 % |
| Module Efficiency | 16.43% |
| System Voltage | 1500 VDC |
| Cell Size in mm | 158.75 X 158.75 |

Mechanical Specifications

| | |
|--|--------------------|
| Module Weight | 21 kg |
| Module Dimension (A)*(B)*(C) | 1986 x 996 x 35 mm |
| Mounting Hole(Oblong Size) | 9 x 14 mm |
| Mounting Hole CTC distance – vertical (H) | 860 mm |
| Mounting Hole distance from corner (E) | 563 mm |
| Mounting Hole CTC distance – horizontal(F) | 955 mm |
| Junction Box | Dash 1 Meter |
| Connector | MC4 Connector |
| Glass | 2.8 mm |



Headquarter - Lalganga Business Park, 5th Floor 517, Pachpedi Naka, Raipur (C.G.) 492001 India

